



ATLAS 1TE

FULL ELECTRIC PICK & CARRY CRANE





Best of technology for maximum performance

ATLAS is a full electric counterbalance crane that comes in 2 models:

- **ATLAS 1TE2 – WITH 2 ELECTRIC JIB**
- **ATLAS 1TE3 – WITH 3 ELECTRIC JIB**

One of the key features of this pick and carry crane is that there are no lateral outriggers, therefore **this crane grants max mobility with suspended load.**

ATLAS is the motorized crane with the smallest footprint in its category and thanks to the extreme handling it can reach any place where you have to pick up the load including the narrow passages and Tunnel.

It has an excellent steering angle that allows it to move along the elbow corridor or rotate on its axis in limited spaces.

ATLAS is powered by AGM airtight batteries that can be recharged even in environments with limited ventilation.

It is a full electric crane that can be used in all sectors being silent, environmentally friendly and zero-emission.

In line with Health and Safety international standards (emergency buttons, warning devices, relief and check valves)

It has the maximum load dynamic throttling device standard, which prevents the crane from loading beyond maximum range at each point of the slide by inhibiting the ascent and feed controls until the operator re-enter the load within the permitted limits.

ATLAS can be equipped with any type of under hook accessory (vacuum lifter, bars, beans, clamps, tilters, permanent magnets and customised solutions) for unlimited applications in a large variety of industries.

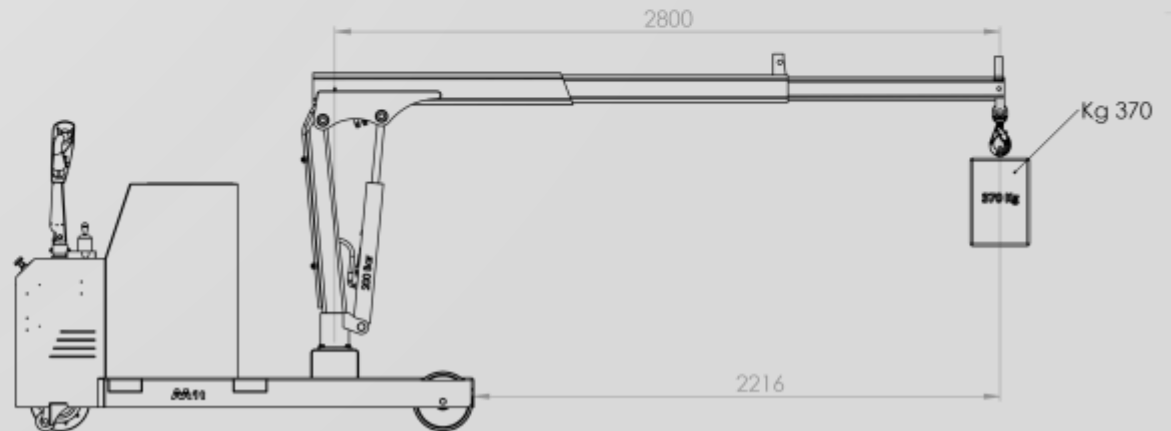
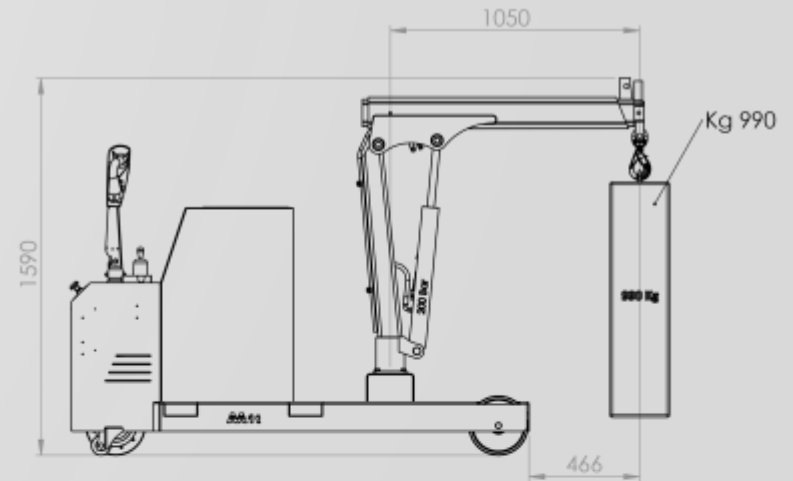
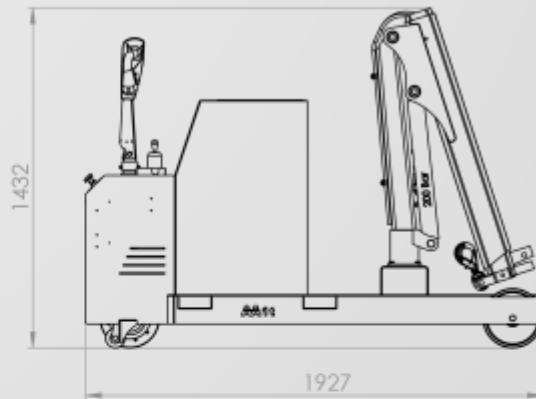
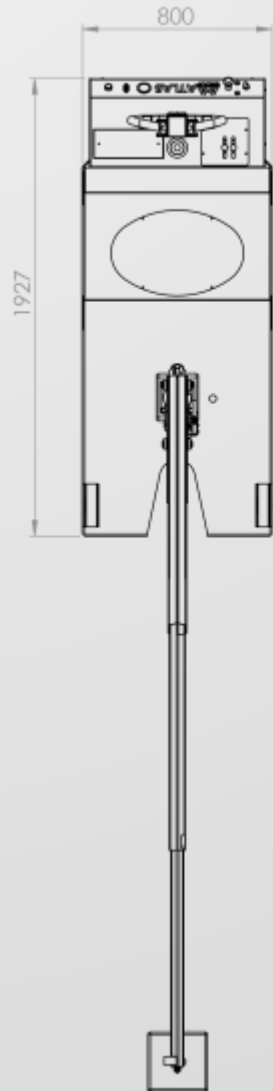


datasheet	UM	ATLAS 1TE2 - ATLAS 1TE3
Weight	[kg]	1600
Max Capacity	[kg]	1000
Lifting motor	[W]	2200
Traction motor	[W]	1200
Tank capacity	[L]	4

TRACTION AND CONTROLLER			
NR 2 HERMETIC AGM BATTERIES		NR 1 BATTERY CHARGER	
[V]	[A]	[V]	[A]
2 x 12	2 x 120	24	12

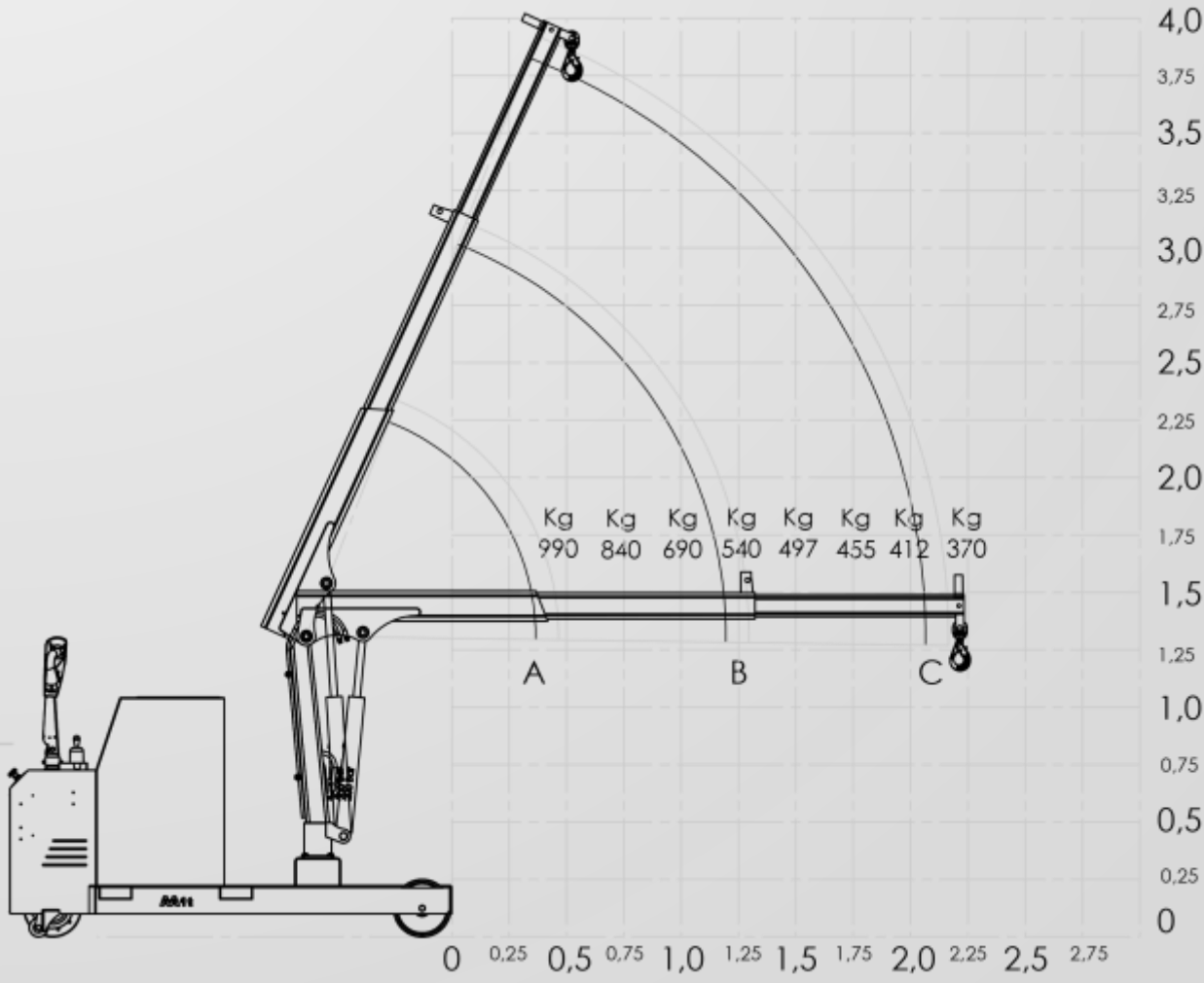


ATLAS 1TE2 WITH 2 ELECTRIC JIB TECHNICAL DRAWINGS





ATLAS 1TE2 WITH 2 ELECTRIC JIB CRANE LOAD CHART

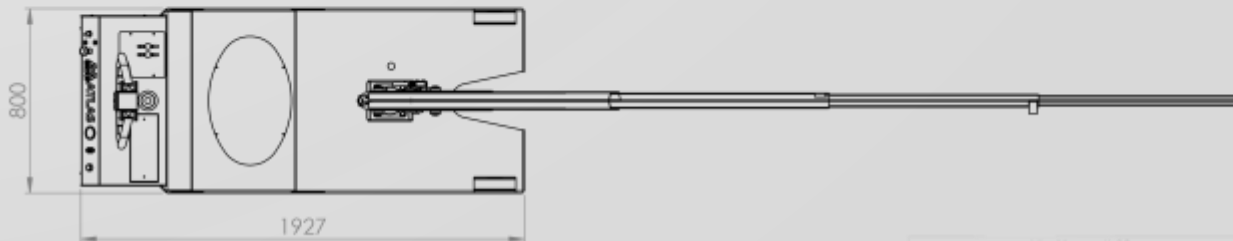
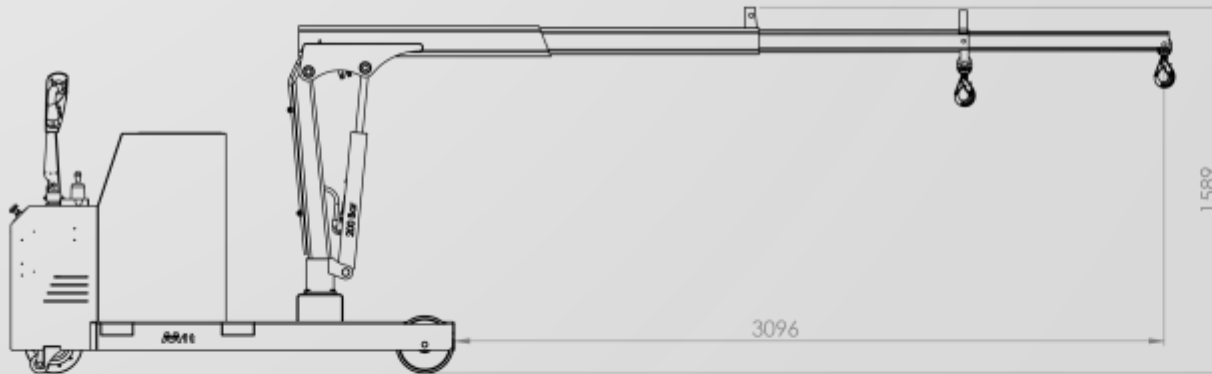
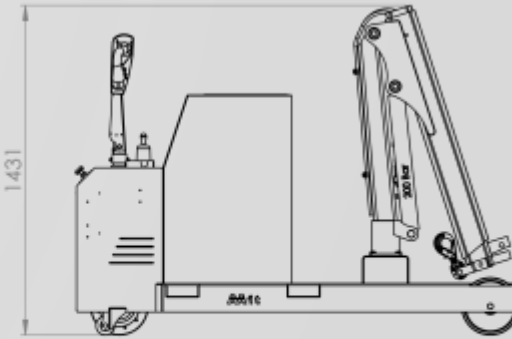
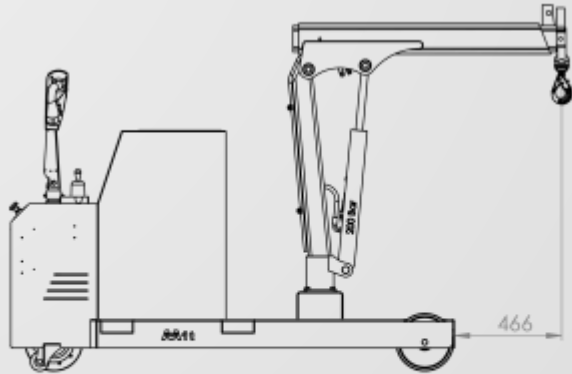


DOUBLE ELECTRIC BOOM PERFORMANCE	
ATLAS 1TE2	
REACH	FROM 466 mm TO 2216 mm
CAPACITY	FROM 990 kg TO 370 kg



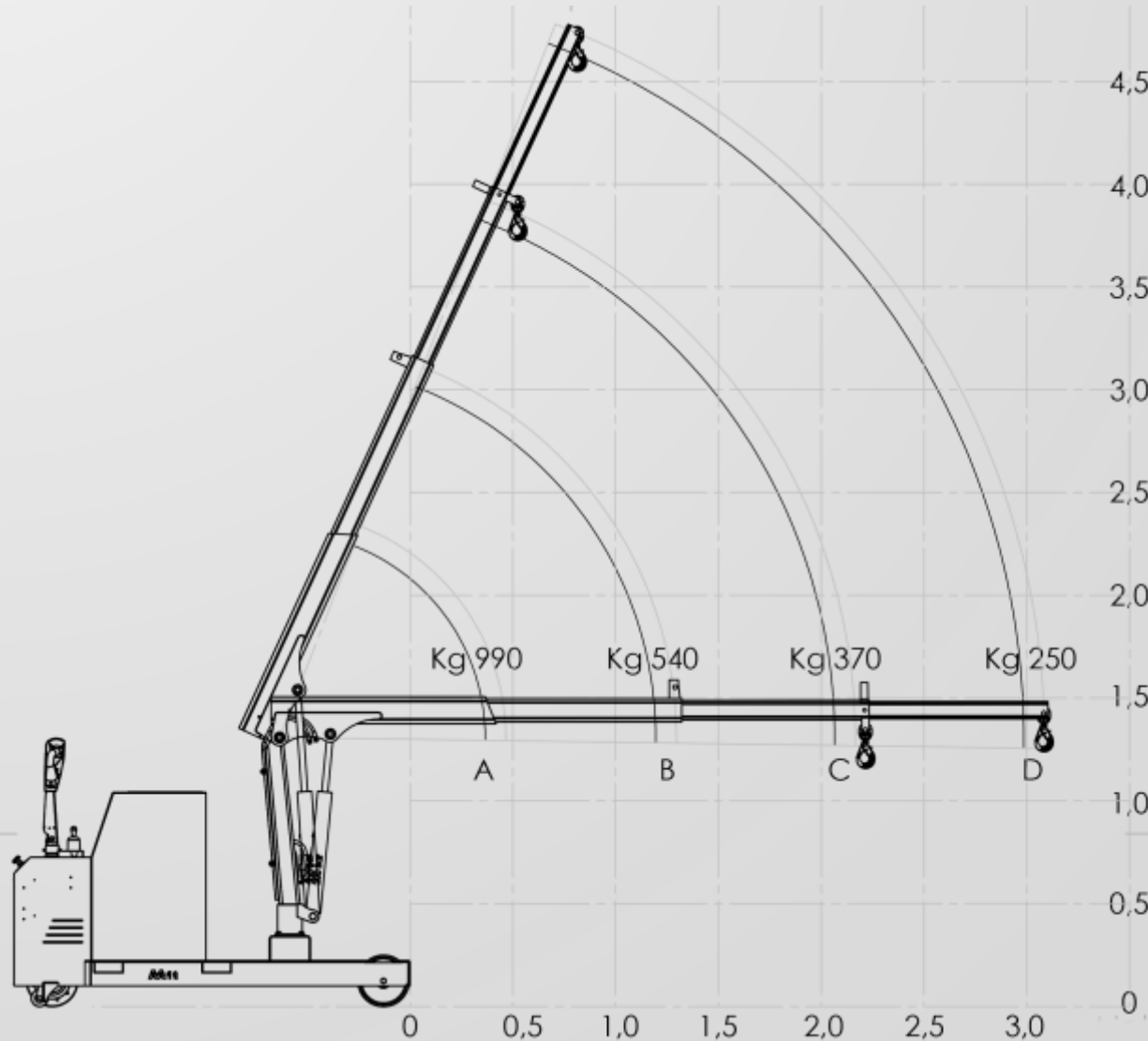


ATLAS 1TE3 WITH 3 ELECTRIC JIB TECHNICAL DRAWINGS





ATLAS 1TE2 WITH 2 ELECTRIC JIB CRANE LOAD CHART



TRIPLE ELECTRIC BOOM PERFORMANCE

ATLAS 1TE3

REACH FROM 466 mm TO 3096 mm

CAPACITY FROM 990 kg TO 250 kg





Safety and build quality first

CONTROL HANDLE

Its special ergonomics allows the operator to securely steer the drawbar with both hands.
Safe drive: A micro switch disables the drawbar operation in non-allowed positions (completely lifted or lowered) to ensure the operator's safety
No. 2 butterfly controls for «forward travel» and «backward travel» controls
Rabbit/Turtle speed button: it allows two-speed drive:
 Reduced speed of 1.5 km/h for narrow pathways to move the load under safe conditions
 Standard speed of 3.0 km/h to travel long distances
Audible warning device: complete with axial-type condenser made of anti-disturbance polyester.
Belly Switch: Emergency anti-crush button with reversion automatic switch to ensure the operator's safety during each movement.



POWER DRIVE

Traction motor with AC tech and energy recovery when braking
 Permanent magnet monowheel in 24V 700W direct current
 Activation of 4QHF2D24V 140° electronic control

High frequency MOSFET technology,
 bidirectional microprocessor control,
 release of forward and reverse
 travel control



CONTROLS, INDICATOR LIGHTS AND STANDARD ACCESSORIES

2-position key **switch** **Emergency** push-button that disables all functions **Green indicator light** showing that the load position is within the allowed limits and the upward/downward/forward/backward controls are active
Red control light showing that the maximum allowed carrying capacity has been exceeded and stopping the load upward and forward movement

Indicator showing the battery charge level
 Schuko **socket** for 220V charge
Indicator showing when the battery charge level has been completed **Multi-tension LED flasher**
 24V **buzzer** with intermittent sound when the crane is moving to increase the operator's safety
Storage compartment

Two-control levers with proportional speed that can be adjusted for the electric operation of the crane
 1) Boom upward/downward motion
 2) Extension boom forward/backward motion



INTEGRATED BATTERY CHARGER

Mod. CB350-HF high frequency monophasic

input voltage 220V
output voltage 24V

Lifting function blocked while recharging
 Programmable recharge according to battery type
3 led battery level indicator
 RBC remote indicator of battery recharge phase



LOAD LIMITING DEVICES

Safety devices detect load in jib arm positions.
Overload is marked by a red light and extension/lifting are inhibited, while a green light indicates that load is within max capacity and extension/lifting are enabled



GROUP

ORBIT ATLAS OMNIA

FULL ELECTRIC PICK & CARRY CRANE



ELECTRIC MEANS GREEN

